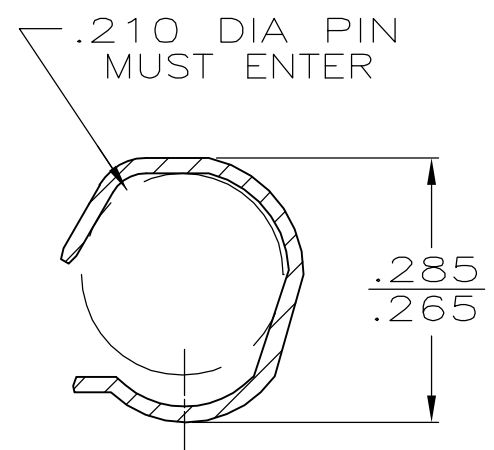
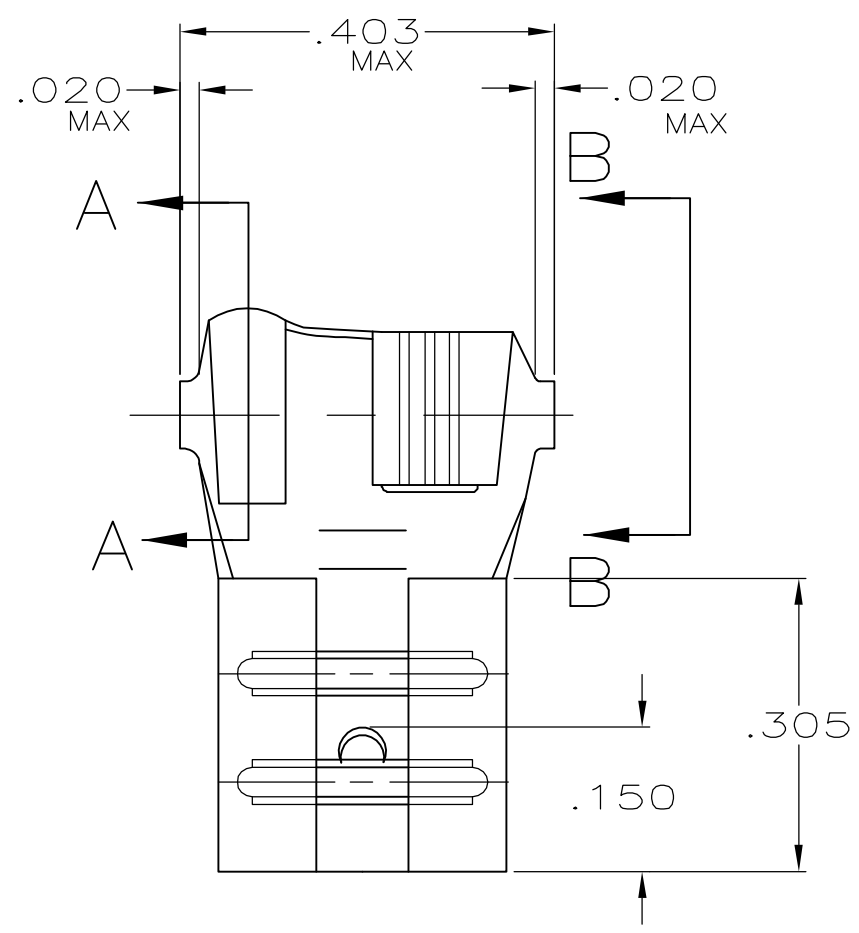


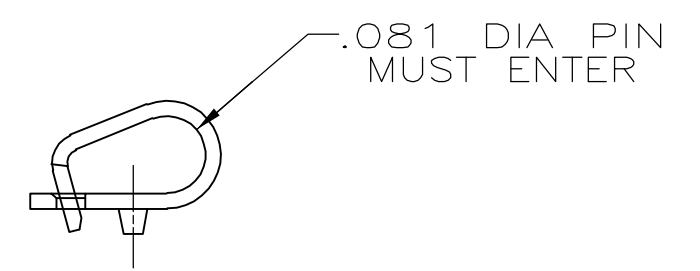
THIS DRAWING IS UNPUBLISHED. RELEASED FOR PUBLICATION
 © COPYRIGHT BY TYCO ELECTRONICS CORPORATION. ALL RIGHTS RESERVED.

LOC	DIST	REVISIONS			
P	LTR	DESCRIPTION	DATE	DWN	APVD
AF	50	A1	REV PER ECR-06-024012	14OCT06	HMR PD

- 1 WIRE AND INSULATION BARRELS TO BE PREFORMED AS SHOWN IN CUT OFF OPERATION.
- 2 SUPPLIED IN LOOSE PIECE.
- 3 MATING TAB THK IS 0.81 ± 0.025 [.032±.001].
- 4 WIRE SIZE IS 0.8-3.0mm² [18-12] AWG
- 5 INSULATION RANGE IS 2.79-5.33 [.110-.210] DIA.
- △ 6 SPECIAL PACKAGE QTY



SECTION A-A



VIEW B-B

△ 6	8-41898-1
	41898
	PART NO.

THIS DRAWING IS A CONTROLLED DOCUMENT.		DWN	JR RUTH	11/16/93	Tyco Electronics Corporation Harrisburg, PA 17105-3608	
DIMENSIONS: INCHES		CHK	MS FEHER	11/16/93		
TOLERANCES UNLESS OTHERWISE SPECIFIED:		APVD	P DESANTIS	11/16/93	NAME	
0 PLC	± -	PRODUCT SPEC		RECEPTACLE, FASTON, FLAG, .250 SERIES		
1 PLC	± -	APPLICATION SPEC		SIZE	CAGE CODE	DRAWING NO
2 PLC	± -	MATERIAL		A300779		C-41898
3 PLC	± 0.38 [.015]	FINISH		RESTRICTED TO		
4 PLC	± -	TEMP 4M BRASS		CUSTOMER DRAWING		
ANGLES	± -	TIN		SCALE	SHEET	REV
				4:1	1 OF 1	A1